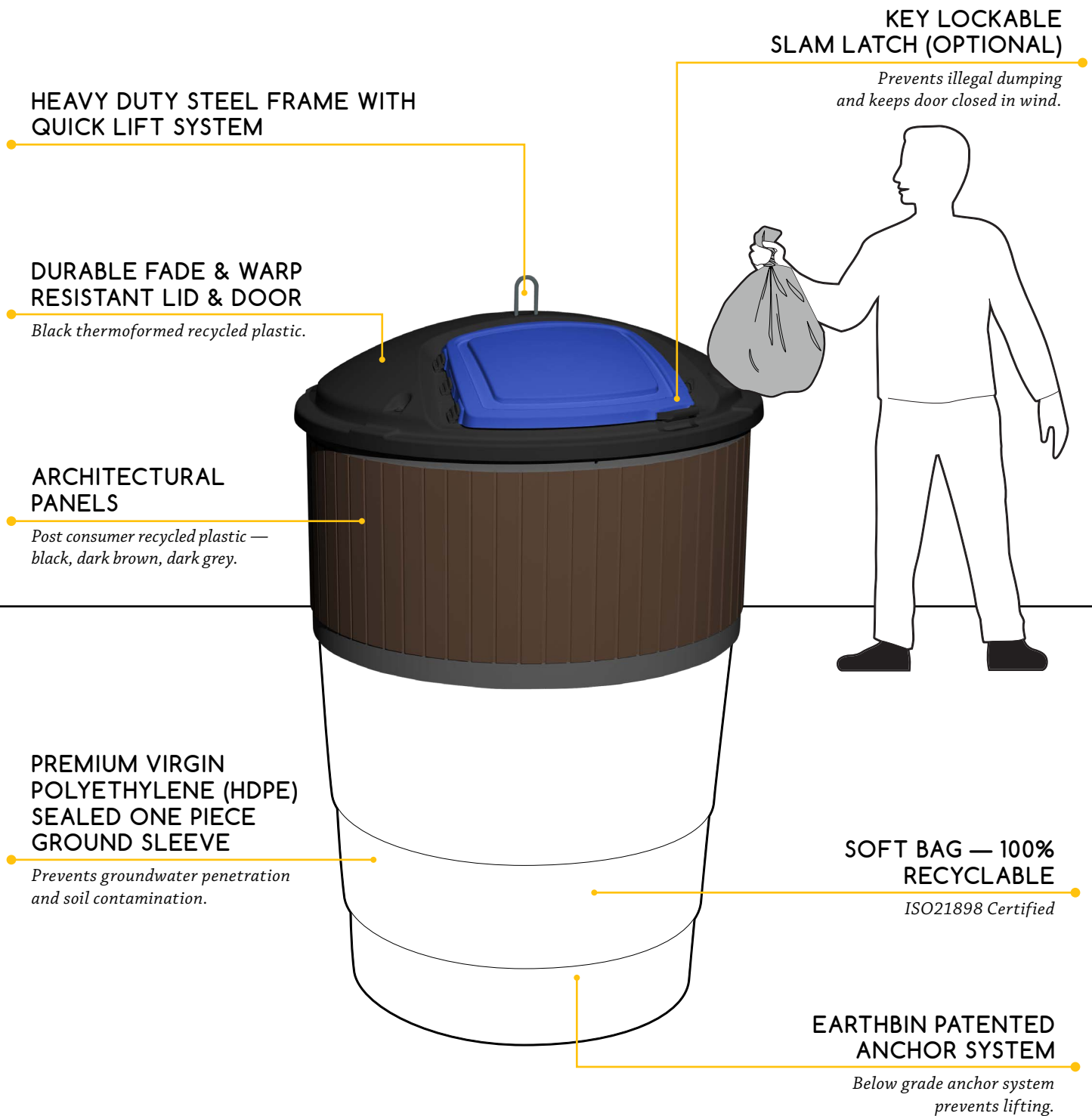


™ EarthBin® Silo™

INVISIBLE NEVER LOOKED SO GOOD™



What makes EarthBin® Silo™ special?



HEAVY DUTY STEEL FRAME WITH QUICK LIFT SYSTEM

DURABLE FADE & WARP RESISTANT LID & DOOR

Black thermoformed recycled plastic.

ARCHITECTURAL PANELS

Post consumer recycled plastic — black, dark brown, dark grey.

PREMIUM VIRGIN POLYETHYLENE (HDPE) SEALED ONE PIECE GROUND SLEEVE

Prevents groundwater penetration and soil contamination.

KEY LOCKABLE SLAM LATCH (OPTIONAL)

Prevents illegal dumping and keeps door closed in wind.

SOFT BAG — 100% RECYCLABLE

ISO21898 Certified

EARTHBIN PATENTED ANCHOR SYSTEM

Below grade anchor system prevents lifting.



AESTHETICS

Attractive compact, and eliminates enclosures



SITE PLAN INTEGRATION

Smart, saves spaces, and fits anywhere.



SUSTAINABILITY

Built green, recyclable, and keeps sites clean.



PEST/ODOUR CONTROL

Superior containment that solves odors and vermin.



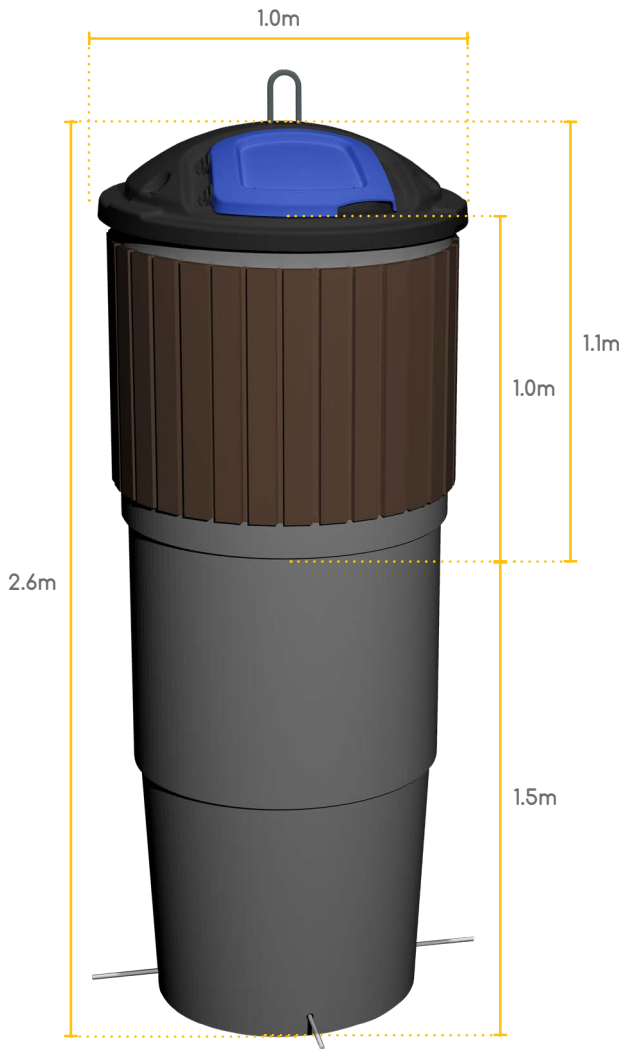
SECURITY

Safeguards users, prevents illegal activity and dumping.

EarthBin® Silo™

EB130T

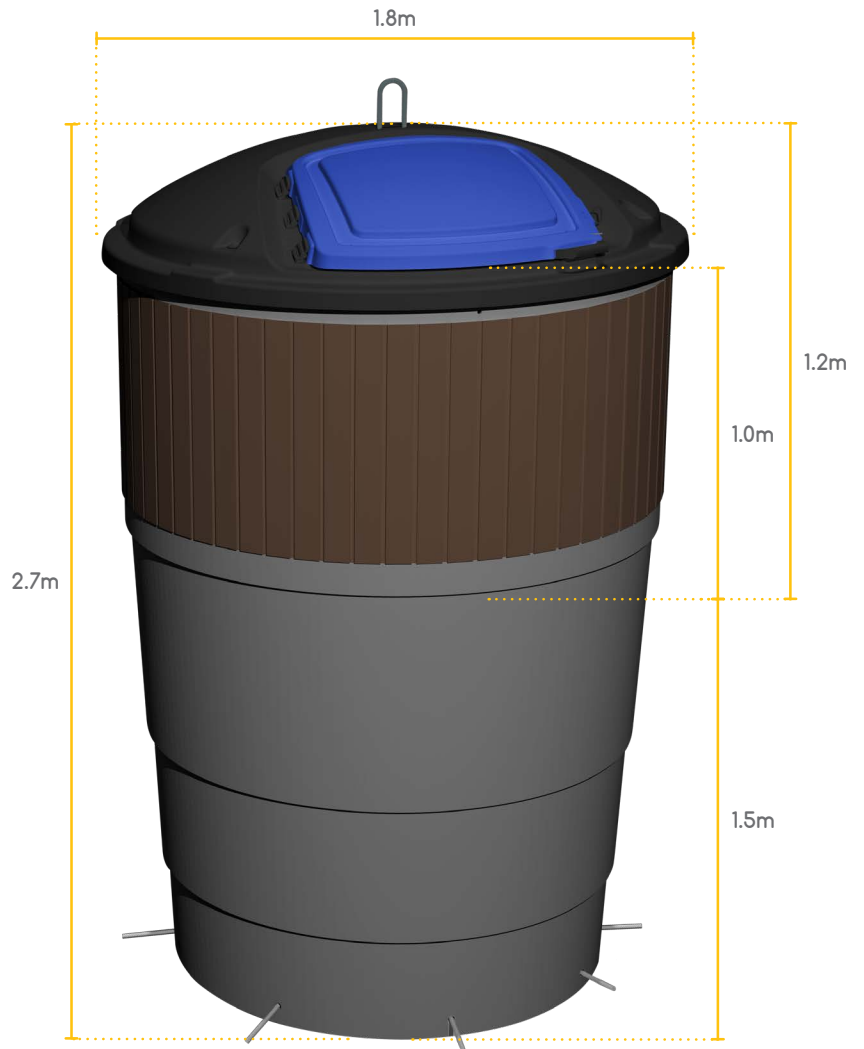
Mixed waste, glass, metal, plastic, & organics



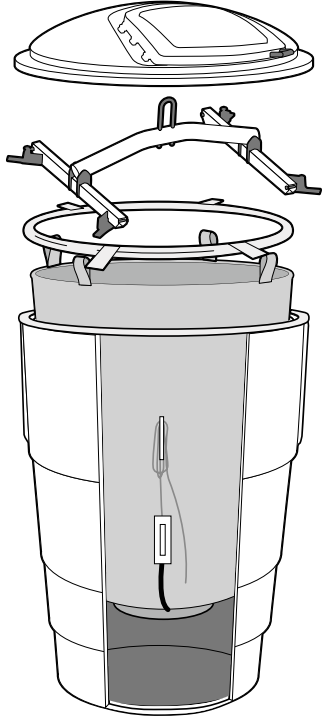
EarthBin® Silo™

EB500T

Mixed waste, paper, cardboard, glass, metal, & plastic



EarthBin® Silo™ Quick Lift System



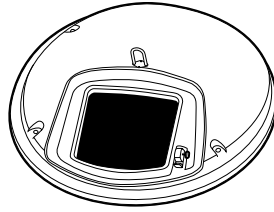
Quick lift system standard on all models including the rigid sleeve.

Silo available with no lift frame option.

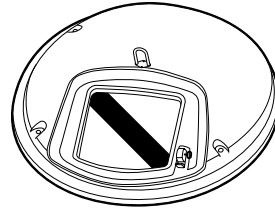
Silo Model EB130T also available with no lift frame.

Lid Options

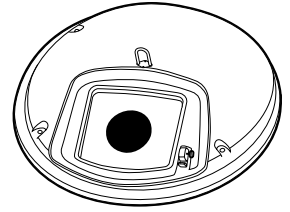
Thermoformed 100% recycled black polyethylene.
(Feed door not shown for clarity)



Standard Lid



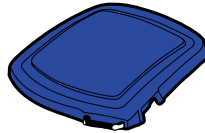
Cardboard Slot



Small opening (300mm)

Feed Door Colour Options

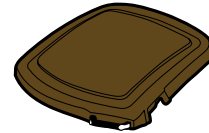
(Model EB500T shown)



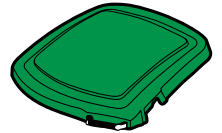
Blue EB130T, EB500T



Black EB130T, EB500T



Dark Brown EB130T



Green EB130T

Architectural Panels Colour Options

100% Post-consumer recycled plastic



Dark Grey



Black

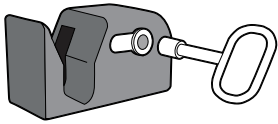


Dark Brown

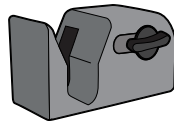


Cedar

Slam Latch (Optional)



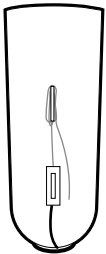
Manual



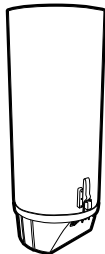
Wing Knob

Container Options

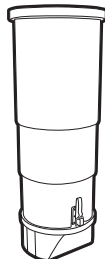
EB 130T



Bag
Woven polypropylene
soft bag
1300L

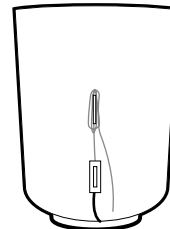


Semi-rigid
Woven polypropylene &
liquid retention plastic
tank (110L)
1300L

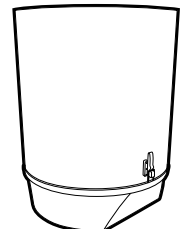


Rigid
Rigid plastic
polyethylene sleeve
800L

EB 500T



Bag
Woven polypropylene
soft bag
5000L



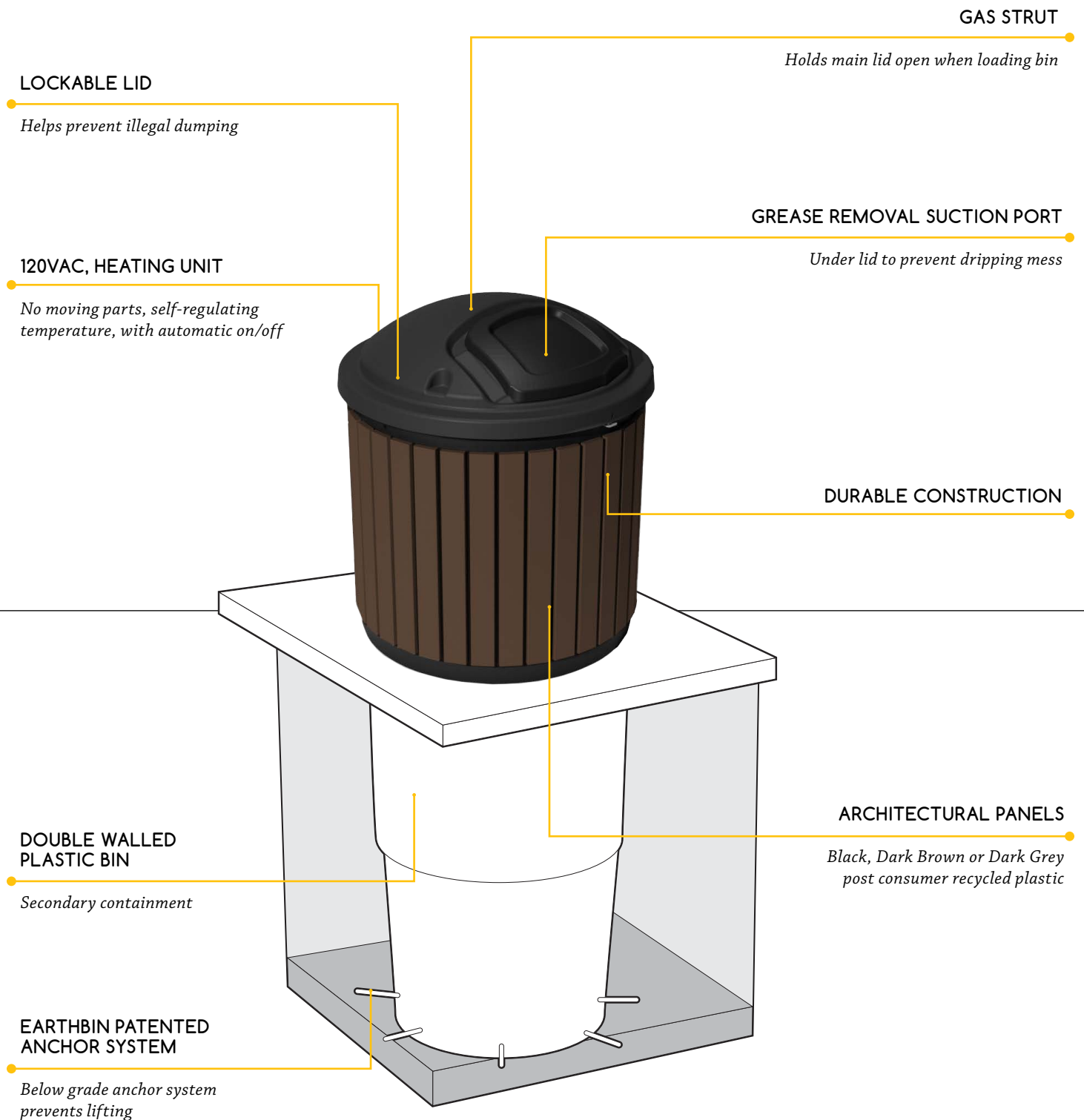
Semi-rigid
Woven polypropylene &
liquid retention plastic
tank (515L)
5000L

1-844-213-BINS (2467)

www.earthbin.com

EarthBin® EB130G

Semi-inground containers for used cooking oil collection



PATENT(S) PENDING

Designed in Canada. Made in Canada.





EarthBin[®] Silo[™]

If you have to see, smell, or even think about garbage on your property, you don't have a waste management system.

You have a waste problem.

Find out what the industry's most innovative thinkers have designed to solve it.

1-844-213-BINS (2467)

www.earthbin.com