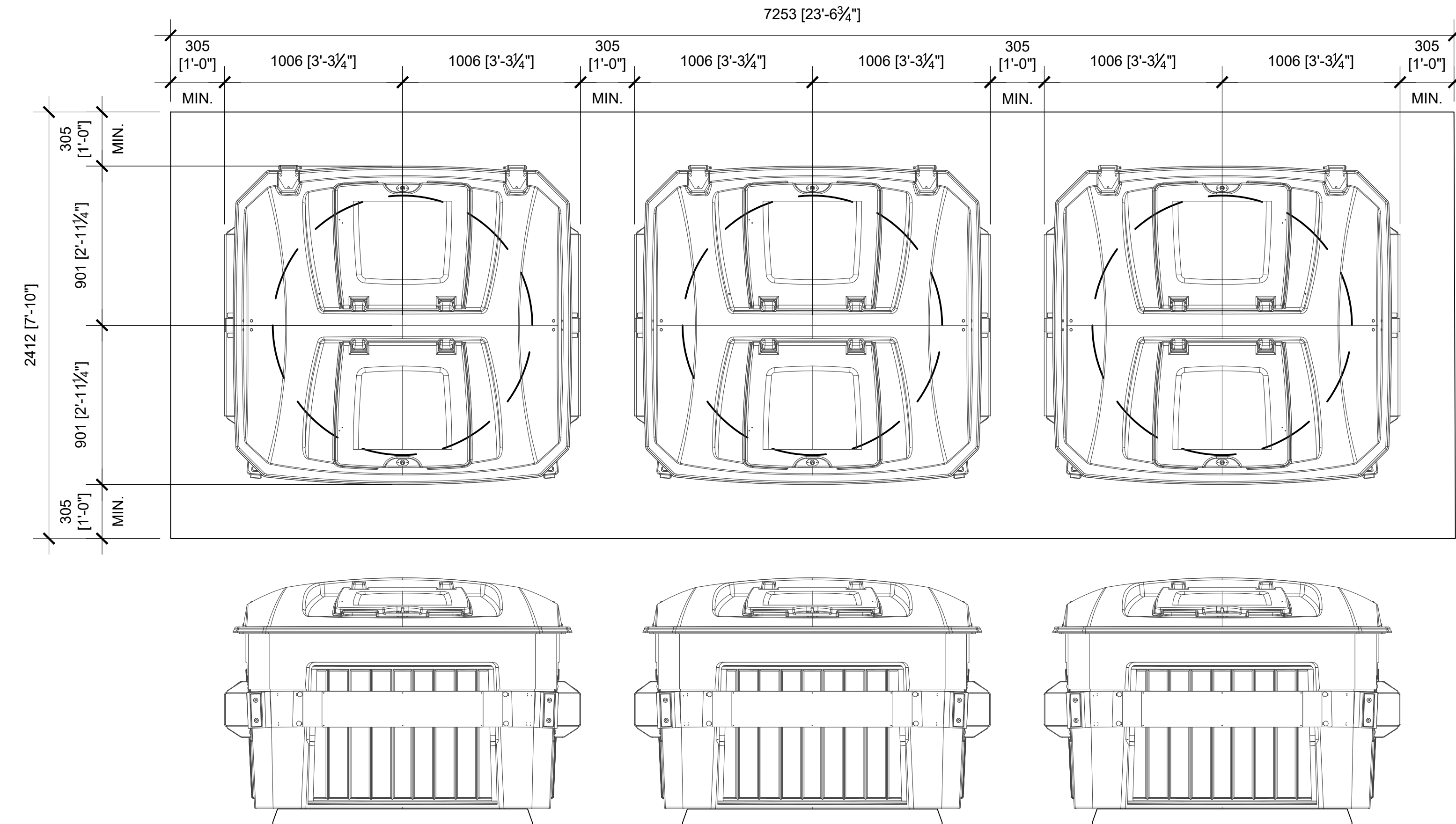
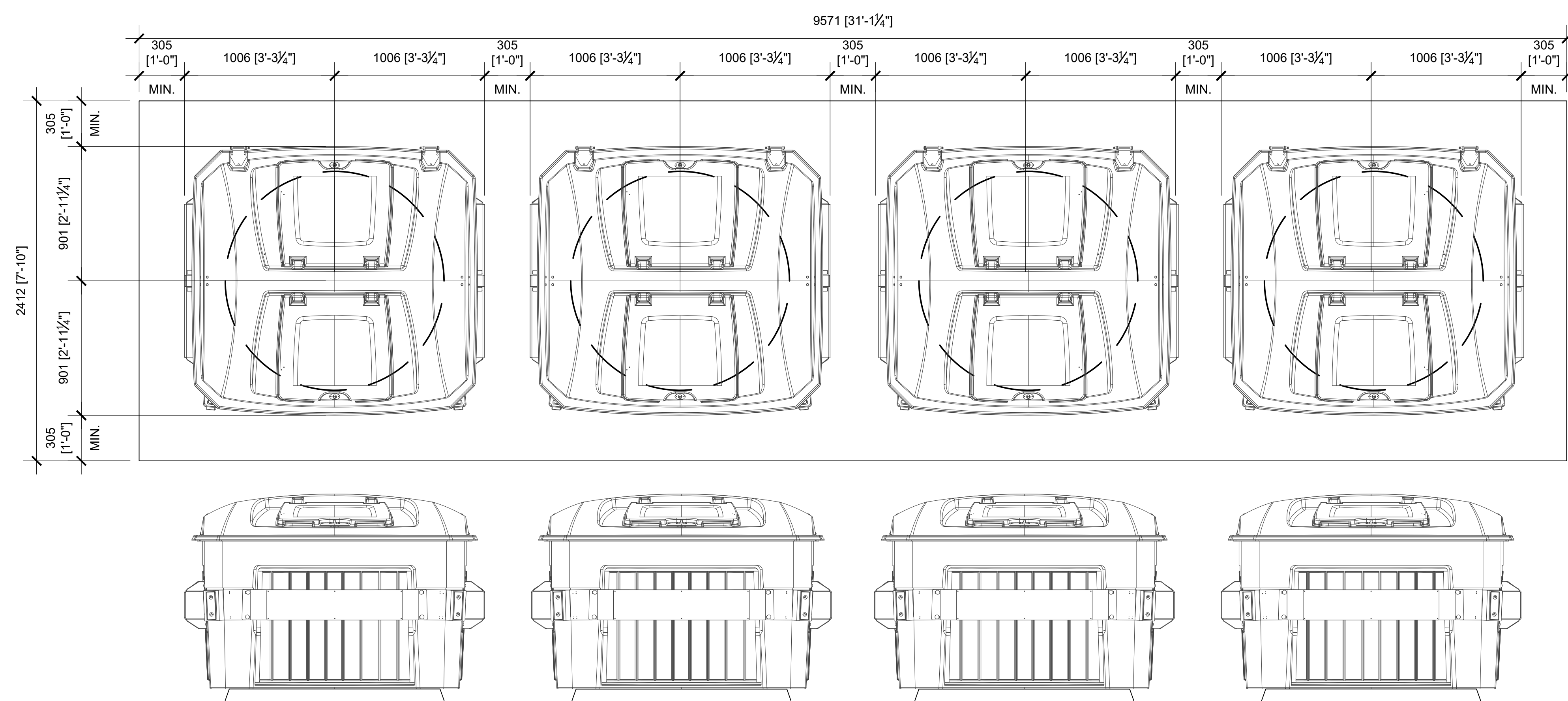


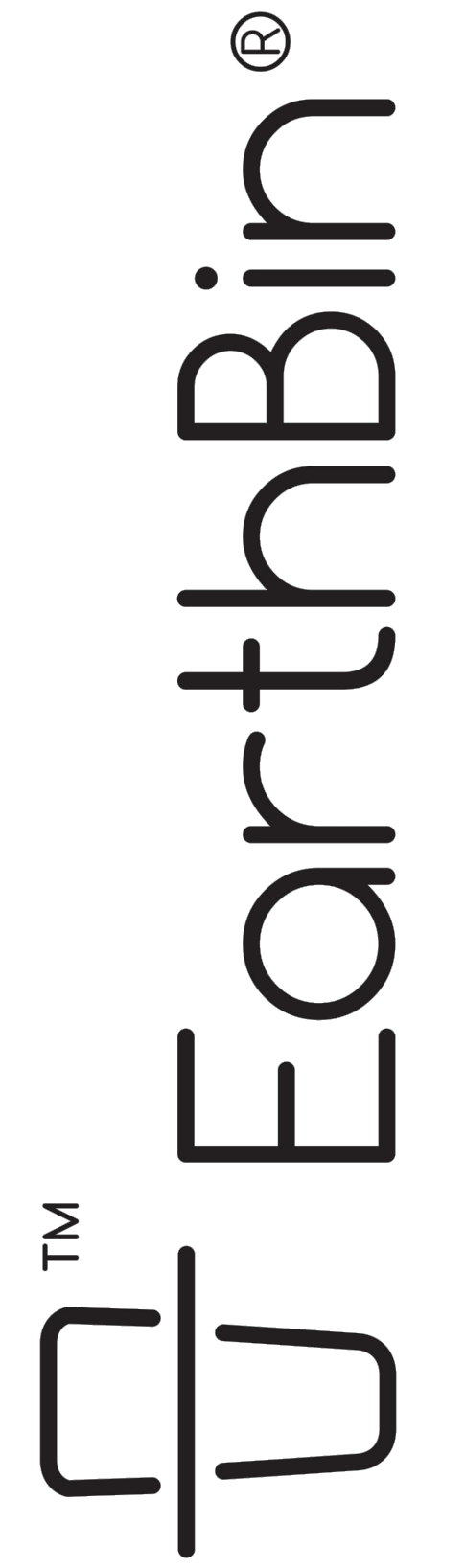
1 TYP. PLAN & ELEV VIEW - 2 BINS  
A3 1:20



2 TYP. PLAN & ELEV VIEW - 3 BINS  
A3 1:20



3 TYP. PLAN & ELEV VIEW - 4 BINS  
A3 1:20



- 1. ISSUED FOR CLIENT REVIEW ON 2016/10/06
- 2. ISSUED FOR FINAL REVIEW ON 2017/03/03
- 3. ISSUED FOR PUBLIC RELEASE ON 2017/03/10
- 4. ISSUED FOR CLIENT REVIEW ON 2020/1/10
- 5. ISSUED FOR PUBLIC RELEASE ON 2021/06/07

- This drawing is published by Earthbin Products and is copyrighted drawing and design and shall not be used or reproduced without the expressed written permission of Earthbin Products  
 - The contractor shall check and verify all dimensions and report all errors or omissions to the designer prior to commencing the work  
 - These drawings are not to be scaled  
 - Drawings are to be read in conjunction with the installation guide  
 - All drawings are drawn in metric scale unless noted otherwise  
 - All work to conform to the current building codes  
 - The designer's liability is limited to the correction of the working drawings only

SCALE: AS NOTED  
 DESIGN BY: EARTHBIN PRODUCTS  
 DRAWN BY: STUDIO WOLF DESIGNS

EARTHBIN® TYPICAL BIN CONFIGURATIONS

REVISION#2 A3