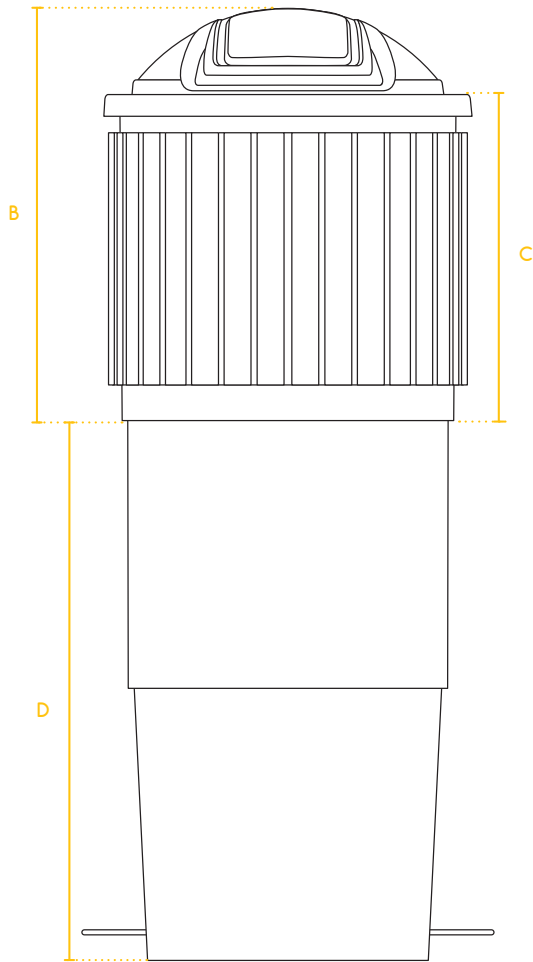
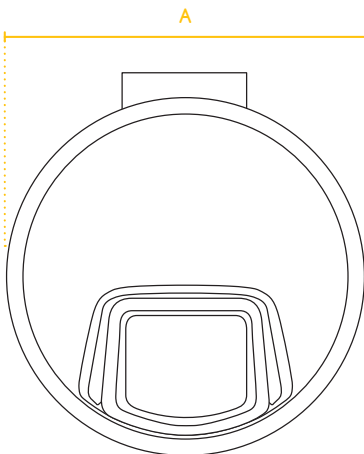


EarthBin[®] Silo[™] EB130G

Used cooking oil collection container



Front view



Top view

Capacity:	800 litres
Diameter (A):	1.0 m (40.5 in)
Height (B):	1.2 m (48.5 in)
Feed Height (C):	1.0 m (39.4 in)
Depth In-Ground (D):	1.5 m (60 in)

The EarthBin Silo EB130G is a semi in- ground container used for the collection of used cooking oil.

The unit is fitted with a heavy duty tamper resistant sieve to prevent solids from entering the storage container, a standard 2 inch camlock connector for pumping out the oil, a thermostatically controlled heating element and a hinged main lid with a gas strut to hold the lockable lid open when filling.

A thermostat turns the heating element on when the ambient temperature drops to a set point maintaining the oil temperature such that it remains liquid.

120VAC, 15A power is hardwired through steel conduit to the control box affixed to the side of the unit.

Key Features:

- Double walled construction - Two (2) rotomolded Polyethylene containers provide Secondary Containment
- Heating system has no moving parts and is outside of the liquid
- Insulation between both containers ensures proper temperature is maintained and improves system efficiency (400W Max power)
- The system is completely automatic and requires no manual operation
- Standard 2" Camlock connector inside lid to prevent grease dripping outside of bin
- Low lift height of 915mm (36 in)

Architectural Panels:

- 100% Post Consumer Recycled Polyethylene Boards Dark Brown, Black, Dark Grey

*SPECIFICATIONS MAY CHANGE WITHOUT NOTICE

PATENT(S) PENDING